



# HEIDENHAIN TT 160

## TOOL TOUCH PROBE

### MOUNTING INSTRUCTIONS

---

## TARTALOMJEGYZÉK

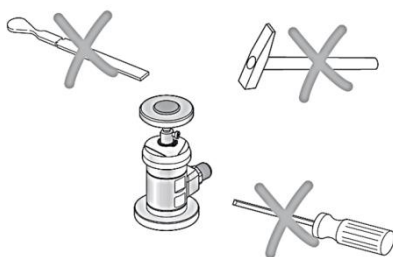
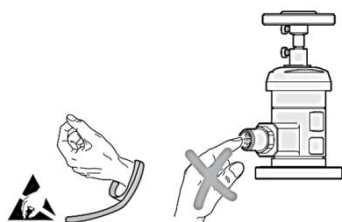
WARNINGS .....	3
ITEMS SUPPLIED .....	3
DIMENSIONS .....	5
MOUNTING THE PROBE CONTACT .....	6
MOUNTING .....	7
EXCHANGING THE CONNECTION PIN /PROBE CONTACT .....	8
ELECTRICAL DATA .....	9

**WARNINGS**



**Note:** Mounting and commissioning is to be conducted by a qualified specialist under compliance with local safety regulations.

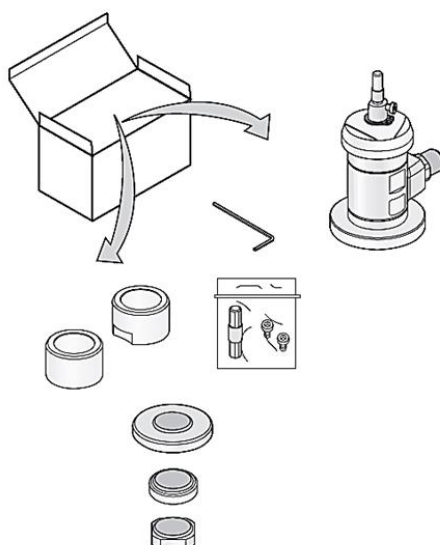
Calibrate the touch probe with the calibration cycle of the control before commissioning.



Do not drop the touch probe.

**ITEMS SUPPLIED**

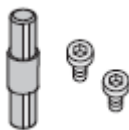
The items supplied depend on device variant.



Probe contact depends on device variant.

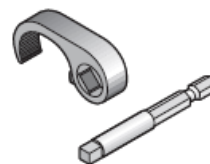
Additional connection pin  
(rated break point  
ID 559758-01).

To be ordered separately



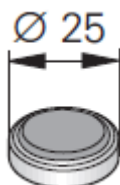
ID 827590-01

**Spare parts kit for connection pin**



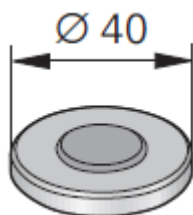
ID 1037830-01

**Torque wrench adapter**



ID 574752-01

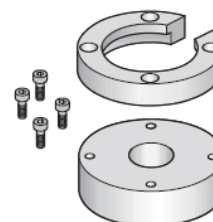
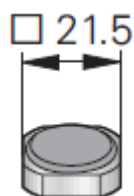
**Probe contact**



ID 527801-01

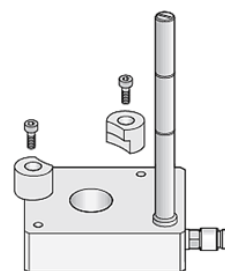
ID 676497-01

**For lathe tool**



ID 332400-01

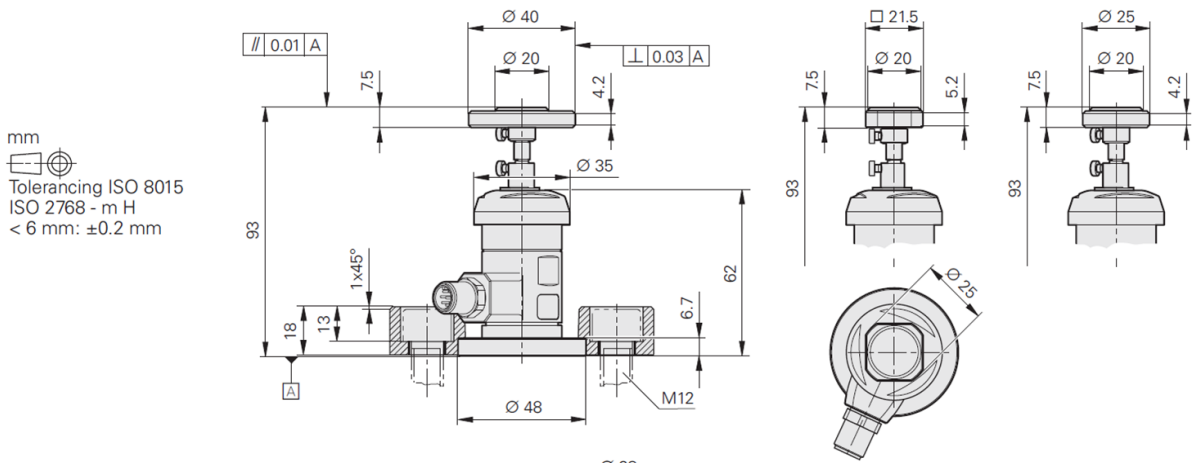
**Mounting base**



ID 767594-01

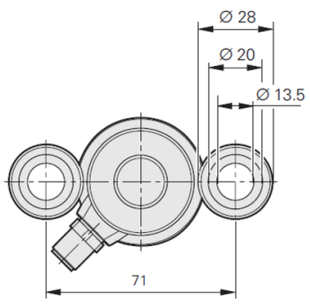
**Mounting base with blower/flusher jet**

**DIMENSIONS**

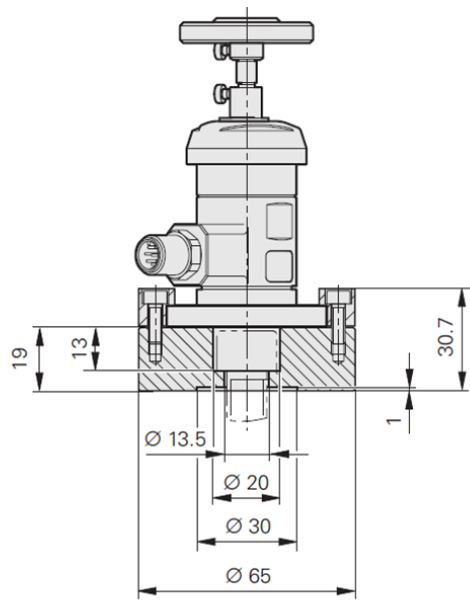


mm  
Tolerancing ISO 8015  
ISO 2768 - m H  
< 6 mm: ±0.2 mm

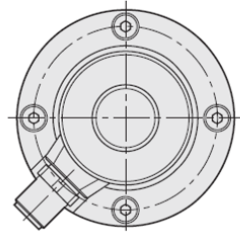
Mounting with fixing clamps



mm  
Tolerancing ISO 8015  
ISO 2768 - m H  
< 6 mm: ±0.2 mm



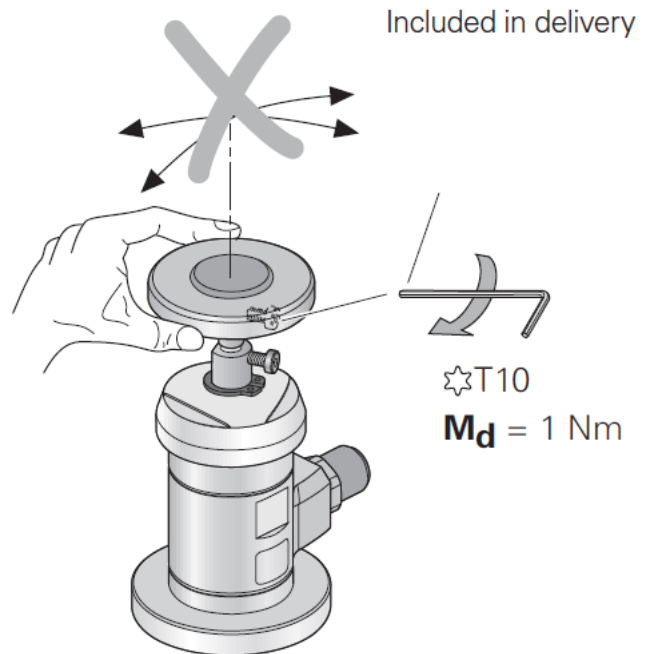
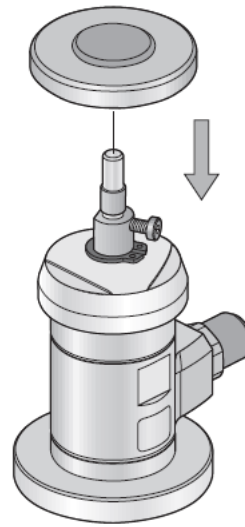
Fastening on mounting base (accessory)



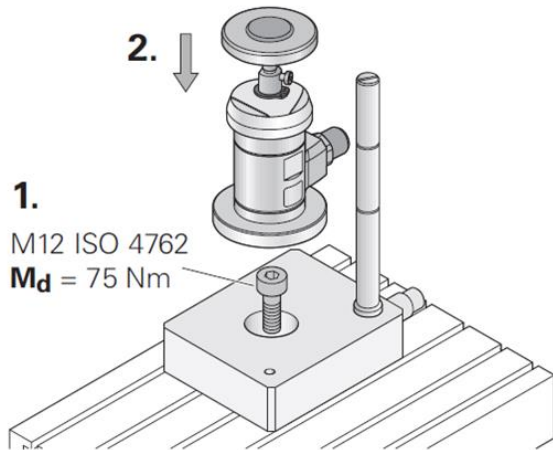
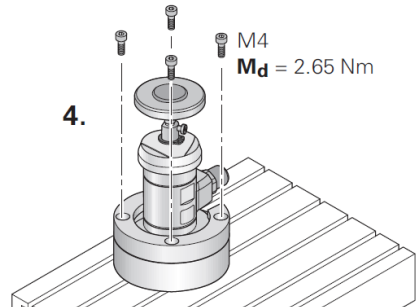
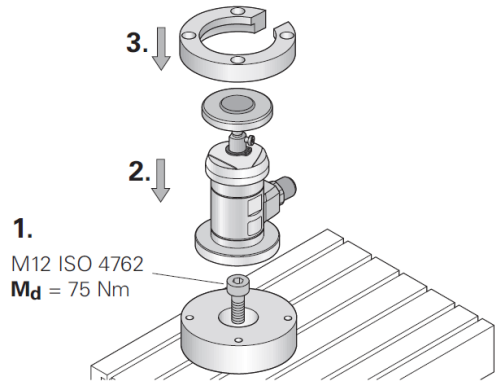
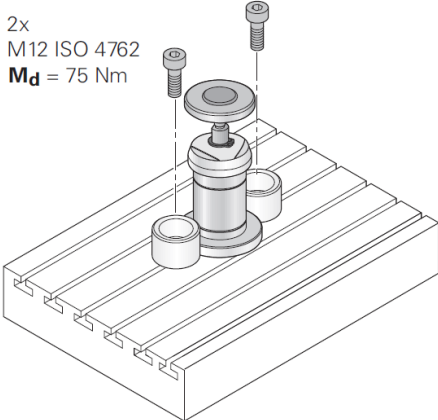
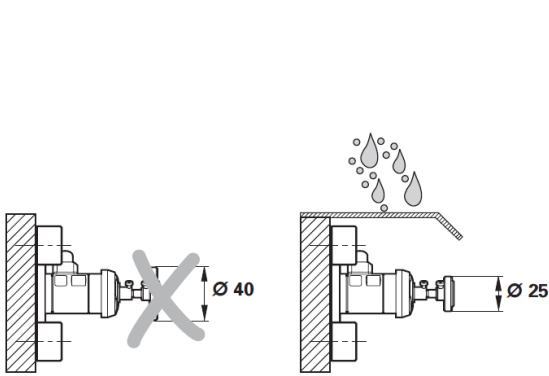
## MOUNTING THE PROBE CONTACT



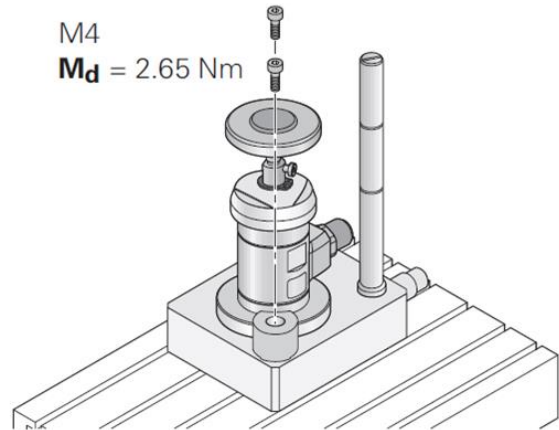
**CAUTION!** Too much force can destroy the connection pin.



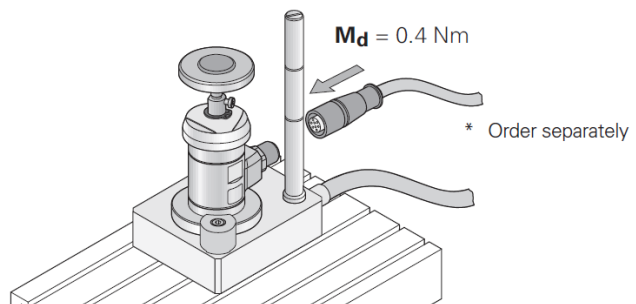
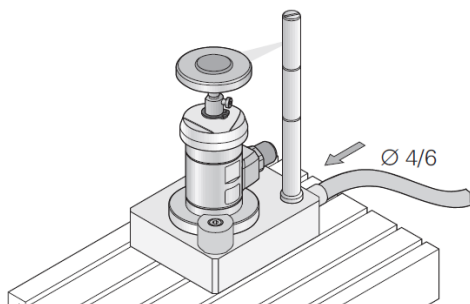
**MOUNTING**



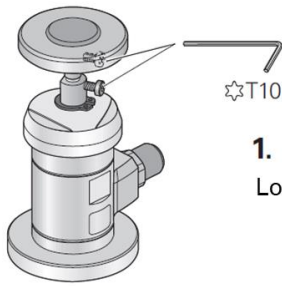
Connection for compressed air M5



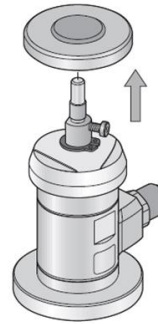
Screw on cable connection with torque adapter\* ID 1037830-01



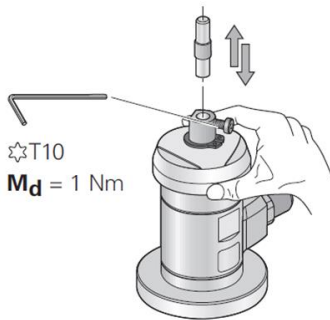
## EXCHANGING THE CONNECTION PIN /PROBE CONTACT



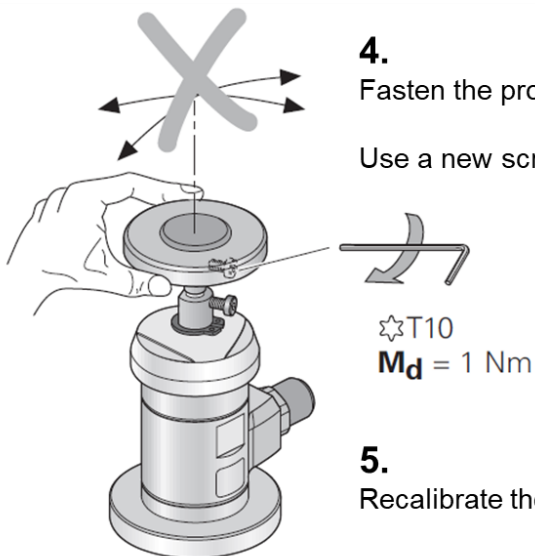
- 1.**  
Loosen 1 (2) screw(s).



- 2.**  
Remove the probe contact.



- 3.**  
Exchange the connection pin.  
Use a new screw (included in items supplied)..



- 4.**  
Fasten the probe contact.  
Use a new screw (included in items supplied).

- 5.**  
Recalibrate the touch probe (with calibration cycle of the control)

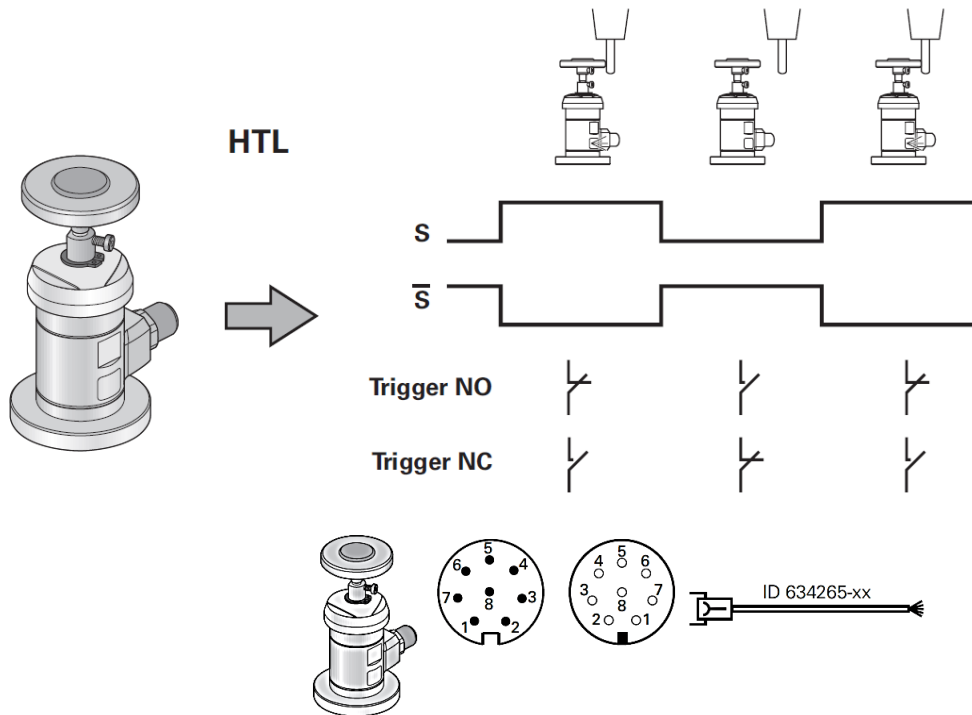
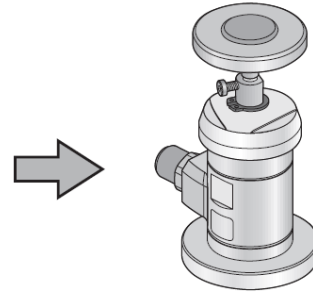


**CAUTION!** Too much force can destroy the connection pin.



**ELECTRICAL DATA**

$U_p = \text{DC } 10\text{V} \dots 30\text{V}$   
(max. 100 mA)  
Without load



2	7	3	4	1	5	6	8
$U_p$	0V	S	$\bar{S}$	B	Trigger NO	Trigger NC	Trigger 0V
BU	VT	GY	PK	WH	WHGN	YE	BNGN

Cable shield connected to housing

Trigger NO = normally open  
Trigger NC = normally closed

B = Ready signal

