

HWMX

HANDWHEEL INTERFACE MODULE WITH CAN BUS

CONTENTS

INTRODUCTION.....	3
IDENTIFICATION.....	3
1 INPUT PIN ASSIGNMENT.....	4
2 OUTPUT PIN ASSIGNMET	4
3 OVERALL DIMENSIONS AND CONNECTORS.....	5

INTRODUCTION

Two handwheels with TTL output can be built in the HWMX unit, which transmits the handwheel data to the receiving electronics through CAN bus. In general, this electronics is the electronics of the MK or VMK machine operator keyboard.

IDENTIFICATION

Type of the encoder:	HWMX
Power-supply voltage:	9 V DC +/- 20%
Current drain:	70 mA (w/o handwheel)
Overall dimensions:	90 × 100 × 20 mm
Weight:	260 g

1 INPUT PIN ASSIGNMENT

Handwheel 1 (DSUB 9-pole female):

KA1	1
KB1	8
5VDC	5
GND	3

Handwheel 2 (DSUB 9-pole female):

KA2	1
KB2	8
5VDC	5
GND	3

2 OUTPUT PIN ASSIGNMET

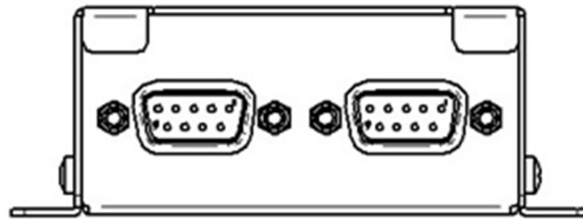
CAN (DSUB 9-pole male):

CANL	1,2
CANH	7,8
9VDC	9
GND	3
shield	house

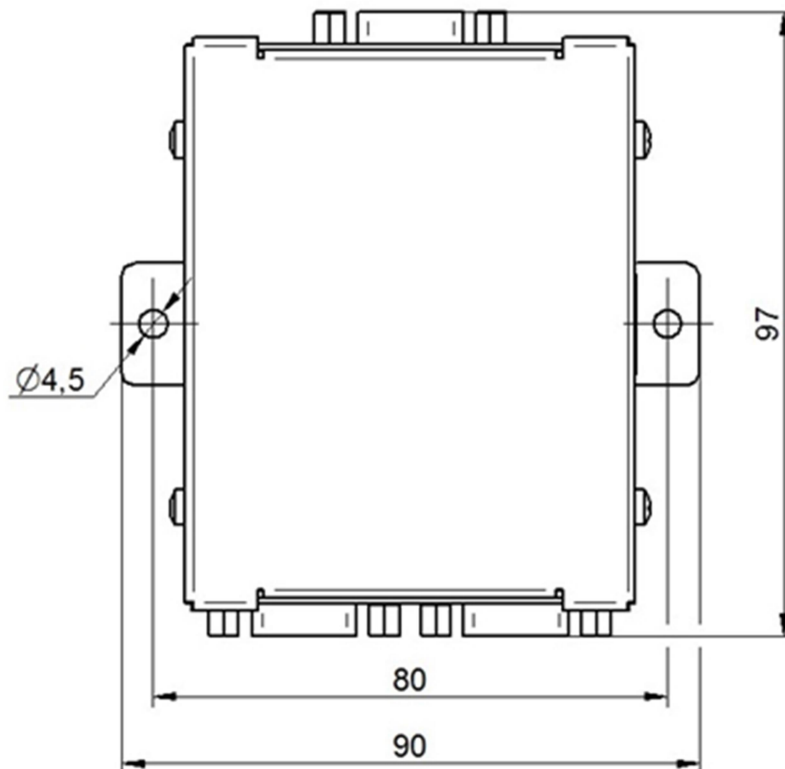
The HWMX unit contains the 120R resistor terminating the CAN cable.

3 OVERALL DIMENSIONS AND CONNECTORS

9-pole Dsub female Handwheel1	
KA1	1
KB1	8
+5V	5
GND	3



9-pole Dsub female Handwheel2	
KA2	1
KB2	8
+5V	5
GND	3



9-pole Dsub male CAN	
CANL	1-2
CANH	7-8
+9V	9
GND	3

