

O16

16-line transistor output module on EtherCAT bus

Electrical characteristics

Supply voltage: +5 V +/- 5% 110 mA without encoder
MTBF: 70 000 h 50 °C

Mechanical characteristics

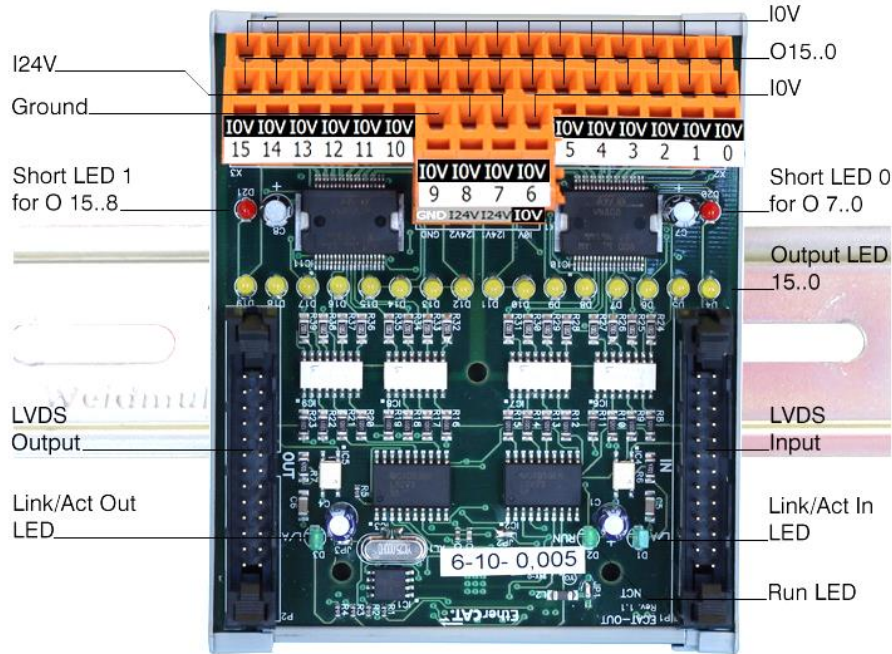
Dimensions: 88×108×68 mm
Weight: kg

Environmental characteristics

Operating temperature: +0 °C ... +50 °C
Storage temperature: -24 °C ... +85 °C
Operating relative humidity: max. 95% (no condensation)
Storage relative humidity: max. 95% (no condensation)
Sea-level altitude: -300 m ... +3000 m
Shock resistance: 15 g / 0,33 ms
Vibration: 1 g / 5 ... 2000 Hz

EMC

EN 61000-4-2 (ESD)
EN 61000-4-4 (burst)
EN 61000-4-10 (voltage drop, interruption, change)



Description

1. Digital outputs

The O16 module can issue 16 output signals (O0 ... O15) of nominal 24 VDC. Each line has galvanic isolation, and LED display (Output LED 0...16), too.

The function of the 2 red LEDs on the module is to indicate overload. The Short LED 0 indicates overload on lines O0...7 and the Short LED 1 indicates overload on lines O8...15.

The unit is rated for a maximum current of 0.5 A per line. The lines are overload protected.

The line groups O0...7 and O8...15 have separate power supply (I24V1 and I24V2).

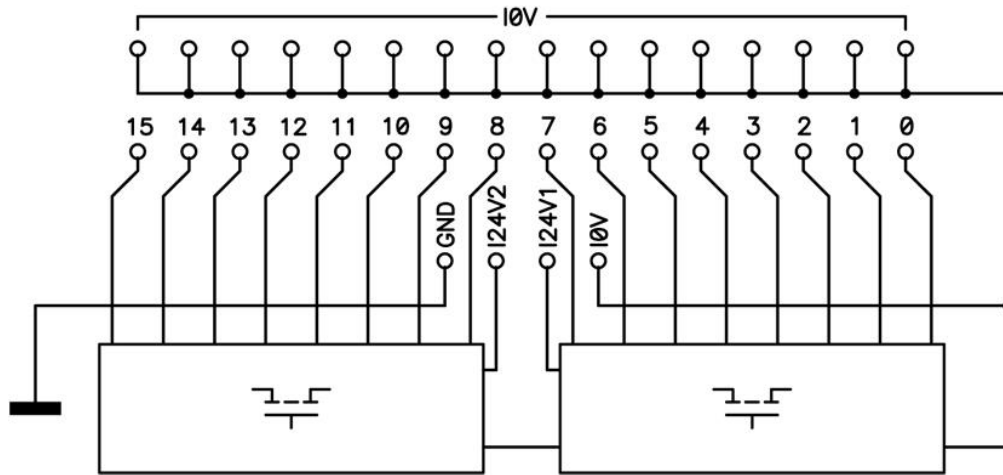
The values of the digital outputs can be written in via EtherCAT (LVDS) bus.

Low (0): 0 VDC

High (1): 24 VDC

The common negative potential of the inputs must be connected to the IOV.

The unit can be connected (grounded) to the frame at the GND point.



2. EtherCAT electronics

It is the EtherCAT-LVDS bus via which the module communicates with the control system. The module must be connected to the EPU unit or to a module connected to the EPU unit already, via the LVDS input. The LDSS output connector can be used to connect a subsequent module.

The LEDs on the card and their functions

Link/Act In: the EtherCAT input port works

Link/Act Out: the EtherCAT output port works

Run: when the LED light is off: the unit is in INIT status

when the LED light is blinking: the unit is in PRE-OPERATIONAL status

when the LED light flashes: the unit is in SAFE-OPERATIONAL status

when the LED light is on: the unit is in OPERATIONAL status